










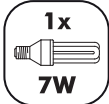
## CUBO 20 HANGING design SLIDE Studio



Lampada a sospensione  
 Anno di produzione: 1999  
 Versioni: luminosa.  
 Materiali: Polietilene.  
 Dimensioni: 20 x 20 h 20 cm  
 Peso: 0,7 Kg  
 Imballaggio: 21 x 21 x 26 cm  
 Volume imballaggio: 0,011 m<sup>3</sup>

Suspension  
 Année de production: 1999  
 Versions: lumineuse.  
 Matériaux: Polyéthylène.  
 Dimensions: 20 x 20 h 20 cm  
 Poids: 0,7 Kg  
 Emballage: 21 x 21 x 26 cm  
 Volume emballage: 0,011 m<sup>3</sup>

Hanging lamp  
 Year of production: 1999  
 Versions: lighting.  
 Material: Polyethylene.  
 Dimensions: 20 x 20 h 20 cm  
 Weight: 0,7 Kg  
 Packaging: 21 x 21 x 26 cm  
 Packaging volume: 0,011 m<sup>3</sup>

<b>DIMENSIONS (cm)</b>	
<b>CODE</b>	LP CUI020 lighting IN        MATT FINISH
<b>LIGHTING</b>	 Energy saving bulb recommended (not included).
<b>COLOURS</b>	LIGHTING <input type="radio"/> LIGHT WHITE (code LA)





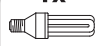
## CUBO 30 HANGING design SLIDE Studio



Lampada a sospensione  
 Anno di produzione: 2001  
 Versioni: luminosa.  
 Materiali: Polietilene.  
 Dimensioni: 30 x 30 h 30 cm  
 Peso: 2,4 Kg  
 Imballaggio: 32 x 32 x 34 cm  
 Volume imballaggio: 0,033 m<sup>3</sup>

Suspension  
 Année de production: 2001  
 Versions: lumineuse.  
 Matériaux: Polyéthylène.  
 Dimensions: 30 x 30 h 30 cm  
 Poids: 2,4 Kg  
 Emballage: 32 x 32 x 34 cm  
 Volume emballage: 0,033 m<sup>3</sup>

Hanging lamp  
 Year of production: 2001  
 Versions: lighting.  
 Material: Polyethylene.  
 Dimensions: 30 x 30 h 30 cm  
 Weight: 2,4 Kg  
 Packaging: 32 x 32 x 34 cm  
 Packaging volume: 0,033 m<sup>3</sup>

<b>DIMENSIONS (cm)</b>	
<b>CODE</b>	<p>LP CUI030 lighting IN  MATT FINISH</p> <p>LP CUH030 lighting OUT  MATT FINISH</p>
<b>LIGHTING</b>	<div style="border: 1px solid black; border-radius: 15px; padding: 5px; display: inline-block;"> <p style="margin: 0;"><b>1x</b></p>  <p style="margin: 0;"><b>15W</b></p> </div> <p style="margin-top: 5px;">Energy saving bulb recommended (not included).</p>
<b>COLOURS</b>	<p>LIGHTING</p> <p><input type="radio"/> LIGHT WHITE (code LA)</p>



## CUBO 40 HANGING design SLIDE Studio



Lampada a sospensione  
 Anno di produzione: 2002  
 Versioni: luminosa.  
 Materiali: Polietilene.  
 Dimensioni: 43 x 43 h 43 cm  
 Peso: 4,1 Kg  
 Imballaggio: 46 x 46 x 47 cm  
 Volume imballaggio: 0,099 m<sup>3</sup>

Suspension  
 Année de production: 2002  
 Versions: lumineuse.  
 Matériaux: Polyéthylène.  
 Dimensions: 43 x 43 h 43 cm  
 Poids: 4,1 Kg  
 Emballage: 46 x 46 x 47 cm  
 Volume emballage: 0,099 m<sup>3</sup>

Hanging lamp  
 Year of production: 2002  
 Versions: lighting.  
 Material: Polyethylene.  
 Dimensions: 43 x 43 h 43 cm  
 Weight: 4,1 Kg  
 Packaging: 46 x 46 x 47 cm  
 Packaging volume: 0,099 m<sup>3</sup>

<b>DIMENSIONS (cm)</b>	
<b>CODE</b>	<p>LP CUI040 lighting IN MATT FINISH</p> <p>LP CUH040 lighting OUT MATT FINISH</p>
<b>LIGHTING</b>	<div style="display: flex; align-items: center;"> <div style="border: 1px solid black; border-radius: 15px; padding: 5px; text-align: center; margin-right: 10px;"> <p><b>1x</b></p> <p><b>25W</b></p> </div> <p>Energy saving bulb recommended (not included).</p> </div>
<b>COLOURS</b>	<p>LIGHTING</p> <p><input type="radio"/> LIGHT WHITE (code LA)</p>



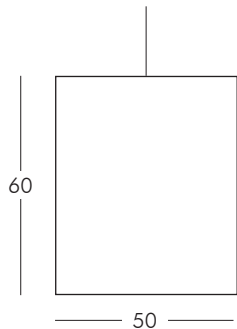
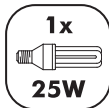
## CUBO 50 HANGING design SLIDE Studio



Lampada a sospensione  
 Anno di produzione: 2007  
 Versioni: luminosa.  
 Materiali: Polietilene.  
 Dimensioni: 50 x 50 h 60 cm  
 Peso: 8 Kg  
 Imballaggio: 51 x 51 x 62 cm  
 Volume imballaggio: 0,161 m<sup>3</sup>

Suspension  
 Année de production: 2007  
 Versions: lumineuse.  
 Matériaux: Polyéthylène.  
 Dimensions: 50 x 50 h 60 cm  
 Poids: 8 Kg  
 Emballage: 51 x 51 x 62 cm  
 Volume emballage: 0,161 m<sup>3</sup>

Hanging lamp  
 Year of production: 2007  
 Versions: lighting.  
 Material: Polyethylene.  
 Dimensions: 50 x 50 h 60 cm  
 Weight: 8 Kg  
 Packaging: 51 x 51 x 62 cm  
 Packaging volume: 0,161 m<sup>3</sup>

<b>DIMENSIONS (cm)</b>	 <p><b>NOTE:</b> <u>IRREGULAR CUBE</u></p>
<b>CODE</b>	<p>LP CUI050 lighting IN MATT FINISH</p> <p>LP CUH050 lighting OUT MATT FINISH</p>
<b>LIGHTING</b>	 <p>1x 25W</p> <p>Energy saving bulb recommended (not included).</p>
<b>COLOURS</b>	<p>LIGHTING</p> <p>○ LIGHT WHITE (code LA)</p>



## CUBO 75 HANGING design SLIDE Studio



Lampada a sospensione  
 Anno di produzione: 2005  
 Versioni: luminosa.  
 Materiali: Polietilene.  
 Dimensioni: 73 x 73 h 73 cm  
 Peso: 20 Kg  
 Imballaggio: 81 x 81 x 81 cm  
 Volume imballaggio: 0,531 m<sup>3</sup>

Suspension  
 Année de production: 2005  
 Versions: lumineuse.  
 Matériaux: Polyéthylène.  
 Dimensions: 73 x 73 h 73 cm  
 Poids: 20 Kg  
 Emballage: 81 x 81 x 81 cm  
 Volume emballage: 0,531 m<sup>3</sup>

Hanging lamp  
 Year of production: 2005  
 Versions: lighting.  
 Material: Polyethylene.  
 Dimensions: 73 x 73 h 73 cm  
 Weight: 20 Kg  
 Packaging: 81 x 81 x 81 cm  
 Packaging volume: 0,531 m<sup>3</sup>

<b>DIMENSIONS (cm)</b>	
<b>CODE</b>	<p>LP CUI075 lighting IN MATT FINISH</p> <p>LP CUH075 lighting OUT MATT FINISH</p>
<b>LIGHTING</b>	<div style="display: flex; align-items: center;"> <div style="border: 1px solid black; border-radius: 15px; padding: 5px; margin-right: 10px;"> <p style="text-align: center; margin: 0;"><b>1x</b></p> <p style="text-align: center; margin: 0;"><b>65W</b></p> </div> <p>Energy saving bulb recommended (not included).</p> </div>
<b>COLOURS</b>	<p>LIGHTING</p> <p><input type="radio"/> LIGHT WHITE (code LA)</p>